

SHANGRI-LA



PULSE

SHOWERSPAS

Shangri-La ShowerSpa

Model #1036

Owner's Manual



Shangri-La ShowerSpa Model #1036

Please Read The Following Instructions **COMPLETELY** Before Beginning!

Our goal is to ensure your installation goes smoothly and safely. Please read these instructions carefully and follow recommendations for plumbing and mounting. **After reading instructions, if you determine you do not have the necessary skills and/or tools, we recommend that a licensed plumbing contractor complete the installation.**

***If you encounter any problems during installation
CALL TECHNICAL SUPPORT
TOLL FREE at 888-785-7320
Before returning your ShowerSpa to the store***

You Will Need The Following Tools

Soft pencil or felt pen to mark tile

Phillips head screwdriver

Safety glasses

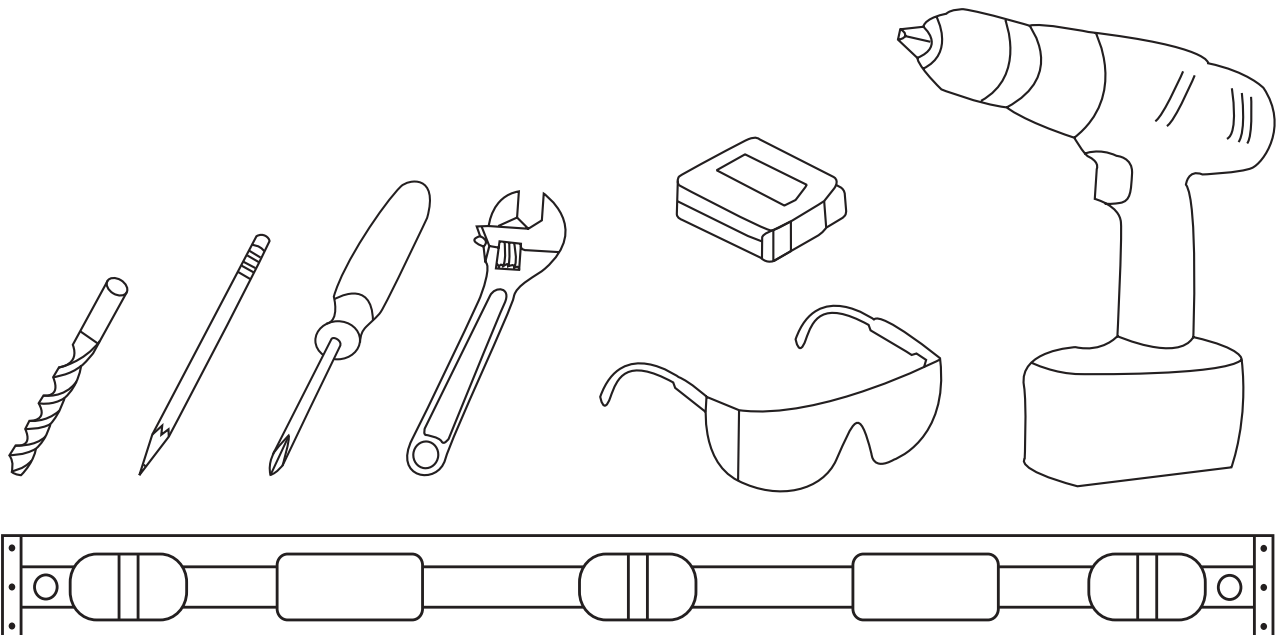
Tape measure

Level

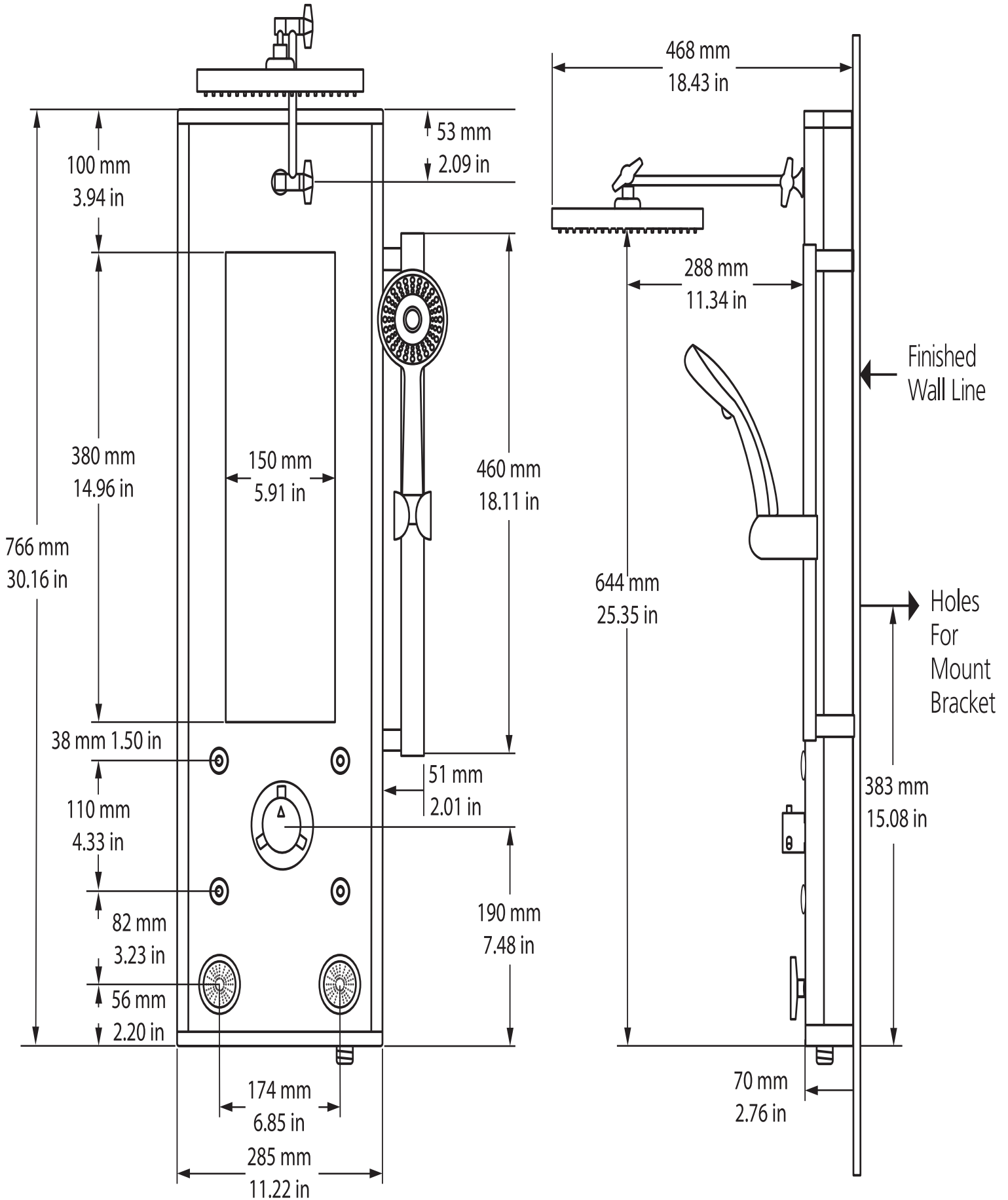
Channel locks or adjustable wrench

Drill (Preferably cordless)

¼" Masonry drill bit



Product Dimensions

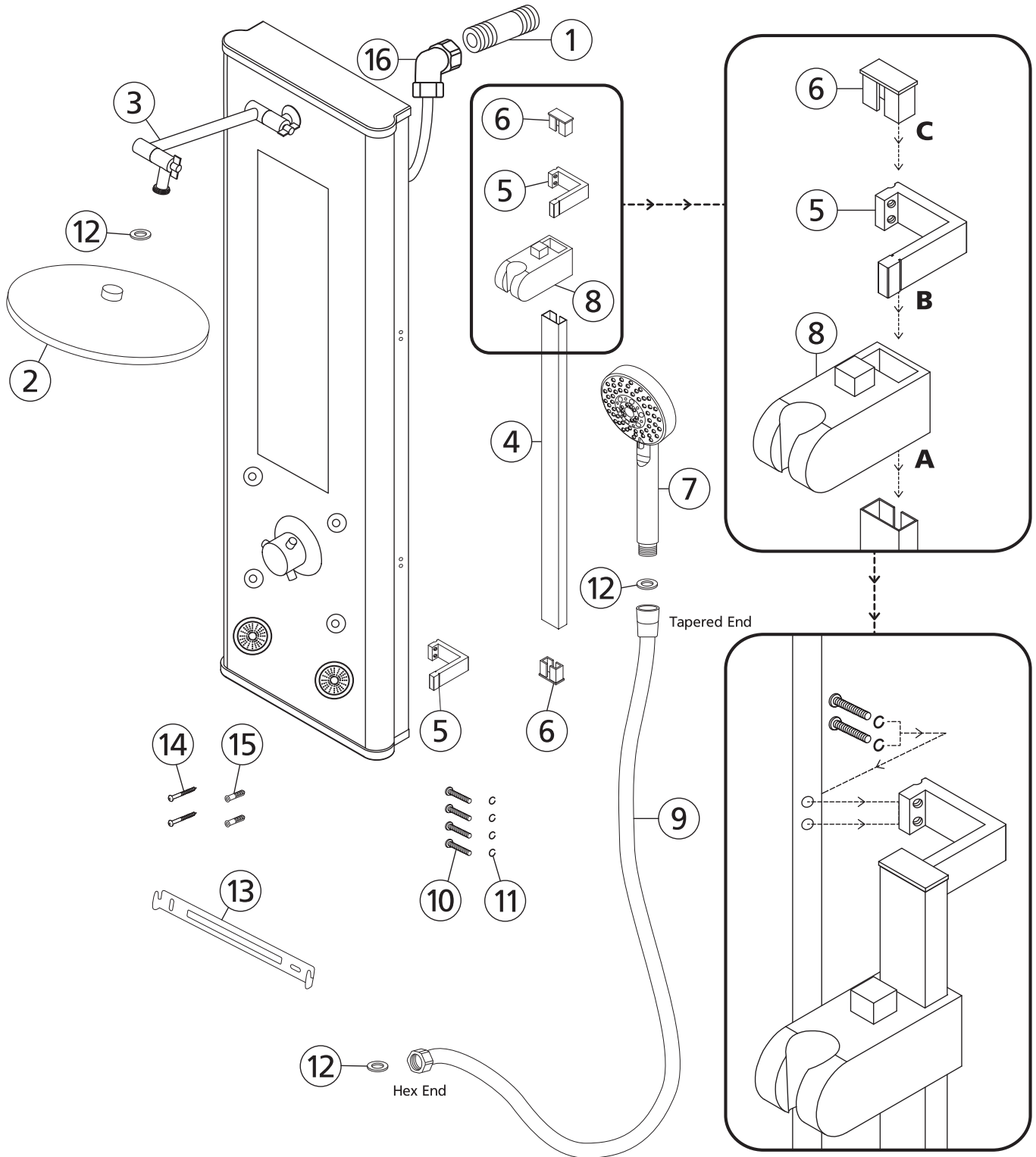


Parts Legend

- 1. 2"x1/2" NPT Brass Nipple
- 2. Showerhead
- 3. Shower Arm
- 4. Slide Bar
- 5. Bracket..... (2)

- 6. Cap (2)
- 7. Hand Shower
- 8. Hand Shower Holder
- 9. Hand Shower Hose
- 10. Machine Screw..... (4)

- 11. Lock Washer..... (4)
- 12. Rubber Washer (4)
- 13. Wall Mounting Bracket
- 14. Mounting Screw (2)
- 15. Nylon Anchor..... (2)
- 16. 90° Supply Line Fitting



Assembly

Some Assembly is Required Prior to Installation.

Slide Bar Assembly *Refer to exploded line drawing for reference.*

1. Hold slide bar (4) with grooves facing away from you. Press button on hand shower holder (8) and place onto slide bar (4) with holder facing you and button on top.
2. With slide bar (4) facing you, align grooves on bracket (5) with grooves on back of slide bar (4). Screw holes on bracket (5) should extend to left side of bar. Insert bracket (5) until flush with opening. Push cap (6) into slide bar (4) opening. Repeat for other end.
3. Align assembled slide bar with pre-drilled holes on right side of ShowerSpa. Secure with machine screws (10) and lock washers (11).

After ShowerSpa is Mounted to Wall

Attach Hand Shower and Hose

1. Insert rubber washer (12) into hexagon shaped end of hand shower hose (9) and attach to threaded outlet on bottom of ShowerSpa.
DO NOT OVER-TIGHTEN.
2. Insert rubber washer (12) into tapered end of hand shower hose (9) and attach to hand shower (7). **DO NOT OVER-TIGHTEN.** Insert hand shower (7) into holder on slide bar (4).

Attach Shower Head

3. Insert rubber washer (12) into showerhead (2) and hand tighten onto the shower arm (3).

Installation

Retrofit-Existing Shower Replacement

1. **TURN OFF WATER SUPPLY TO SHOWER.** Ensure your hot/cold mixing valve is turned off.
2. Determine length of brass NPT nipple (1) needed:
 - a. Place mark on existing shower arm at wall surface. Unscrew shower arm from elbow in wall.
 - b. Measure distance from mark on shower arm to end of shower arm threads. Add $\frac{1}{2}$ " to this measurement, and then round to nearest $\frac{1}{2}$ ".
Example 1: If measurement = $1\frac{1}{4}$ ", add $\frac{1}{2}$ " = $1\frac{3}{4}$ ", rounded = 2" NPT nipple, this is the length needed.
Example 2: If measurement = $1\frac{5}{8}$ ", add $\frac{1}{2}$ " = $2\frac{1}{8}$ ", rounded = 2" NPT nipple, this is the length needed.

IMPORTANT: If shower arm is located in wall above tile/fiberglass wall surface you must add distance from sheetrock to face of tile/fiberglass shower wall to above measurement.

NOTE: If $\frac{1}{2}$ " nipple (1) provided is not correct length based on above formula, it may be necessary to purchase required length $\frac{1}{2}$ " NPT brass nipple (available at most hardware stores in $\frac{1}{2}$ " incremental lengths).

3. Apply a generous amount of PTFE (plumber's) tape to both ends of nipple (1) and securely tighten into 90° water supply located in wall.

IMPORTANT: Do not damage final $\frac{1}{2}$ " of nipple threads protruding from wall.

4. Determine wall bracket (13) location based on water supply outlet and desired height of ShowerSpa. Use bracket as template for hole location. Mark holes for bracket, making sure holes are level.
5. Drill $\frac{1}{4}$ " holes through wall surface using a masonry bit. Drill slowly through wall surface to avoid cracking and chipping.
6. Insert anchors (15) and securely screw bracket onto wall.
7. Place ShowerSpa on wall mounting bracket (13) and make sure ShowerSpa is flush against wall with a secure fit.
8. Lift ShowerSpa upright and remove from wall mounting bracket (13).
9. Insert rubber washer (12) into 90° supply line fitting (16).
10. Hold ShowerSpa upright near mounting bracket and tighten 90° supply line fitting (16) onto nipple (1). Secure with adjustable wrench.

CAUTION: DO NOT OVER-TIGHTEN!

11. Turn on water supply and ensure no leaks before placing ShowerSpa on wall mounting bracket (13).
12. **OPTIONAL**—Seal around body of ShowerSpa with a bead of silicone. **DO NOT SEAL BOTTOM.**

Usage

Brass Diverter

The brass four-way Simple Select™ diverter allows you to easily select the function you desire. Simply rotate the diverter knob either direction to select desired function—showerhead, hand shower, top four misting jets, or bottom two Silk-Spray™ jets.

Body Jets

The Shangri-La ShowerSpa comes with six body jets . The top four are misting jets, designed to open facial pores with a unique stimulating sensation. The lower two Silk-Spray™ jets provide a soft and soothing saturation.

Shower Arm

The shower arm on the Shangri-La has a unique feature that allows you to change the height and angle of the showerhead. The showerhead has 10 inches of adjustable height while still keeping the showerhead level. The wingnut closest to the panel adjusts the height and the wingnut closest to the showerhead adjusts the angle of the showerhead. Loosen one of the two wingnuts, reposition the showerhead and retighten.

Hand Shower

The hand shower has three individual functions and two combo functions. Rotate head of hand shower left or right to change between power spray, pulsating massage, or gentle cascade functions. To adjust angle of hand shower gently rotate toward you or toward wall. For vertical adjustment simply depress the button and slide holder up or down.

Care and Maintenance

Always blot dry any water from the surface of your ShowerSpa. To protect your ShowerSpa from hard water stains and mineral deposits, use an auto spray wax periodically and wipe down your ShowerSpa after each use. Allowing water to evaporate on the surface can lead to a buildup of mineral deposits. Cleaning with a damp, non-abrasive sponge and drying with a clean soft cloth will help keep your ShowerSpa looking beautiful.

R E M E M B E R

Never use abrasives or harsh cleaners!

Clean with mild soap and water ONLY!

*To keep your ShowerSpa in pristine condition,
Dry after each use.*

Manufacturer's Limited Warranty

PULSE ShowerSpas, Inc. warrants that all ShowerSpas are free from defect in workmanship and/or materials for a period of three years from the date of purchase. This warranty extends to the original purchaser only and is non-transferable.

This warranty does not cover, and PULSE ShowerSpas will not pay for any conditions, malfunctions or damages resulting from (1) normal wear and tear, improper installation (whether performed by a contractor, a service company or the consumer), improper maintenance, misuse, abuse, negligence, accident or alteration; (2) the use of abrasive, caustic or "no-rinse" cleaning agents; (3) the use of the product in any manner contrary to the product instruction; (4) any condition in the home such as excessive water pressure or corrosion.

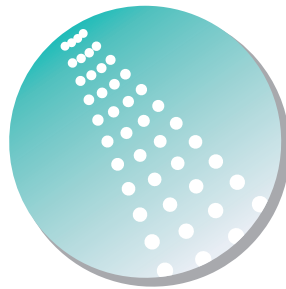
Should any ShowerSpa be determined by PULSE ShowerSpas, Inc. to be defective in normal residential use, at the option of PULSE ShowerSpas, Inc., such product shall either be replaced or repaired and returned to the customer free of defects. The consumer shall give notice of any defects to PULSE ShowerSpas, Inc. within thirty days of discovery of such defect.

Proof of purchase (original sales receipt) must be provided to PULSE ShowerSpas, Inc. with all warranty claims.

PULSE ShowerSpas, Inc. is not responsible for any labor charges, removal charges, installation or other consequential costs. In no event shall the liability of PULSE ShowerSpas, Inc. exceed the purchase price of the ShowerSpa.

Some states/provinces do not allow limitations of how long an implied warranty lasts or the exclusion or limitation of such damages, so these limitations and exclusions may not apply to you. This warranty gives the consumer specific legal rights. You may also have other rights that vary by state/province.

Follow manufacturer's recommended installation. Use caution with children under ten years of age. Do not use ShowerSpa as a support device. Do not use harsh chemicals or abrasives when cleaning. Turn water supply off when servicing your ShowerSpa.



PULSE

SHOWERSPAS

Pulse ShowerSpas, Inc. ~ 297 Anna St ~ Watsonville, CA 95076 ~ 888.785.7320
info@pulseshowerspas.com ~ www.pulseshowerspas.com ~ support@pulseshowerspas.com